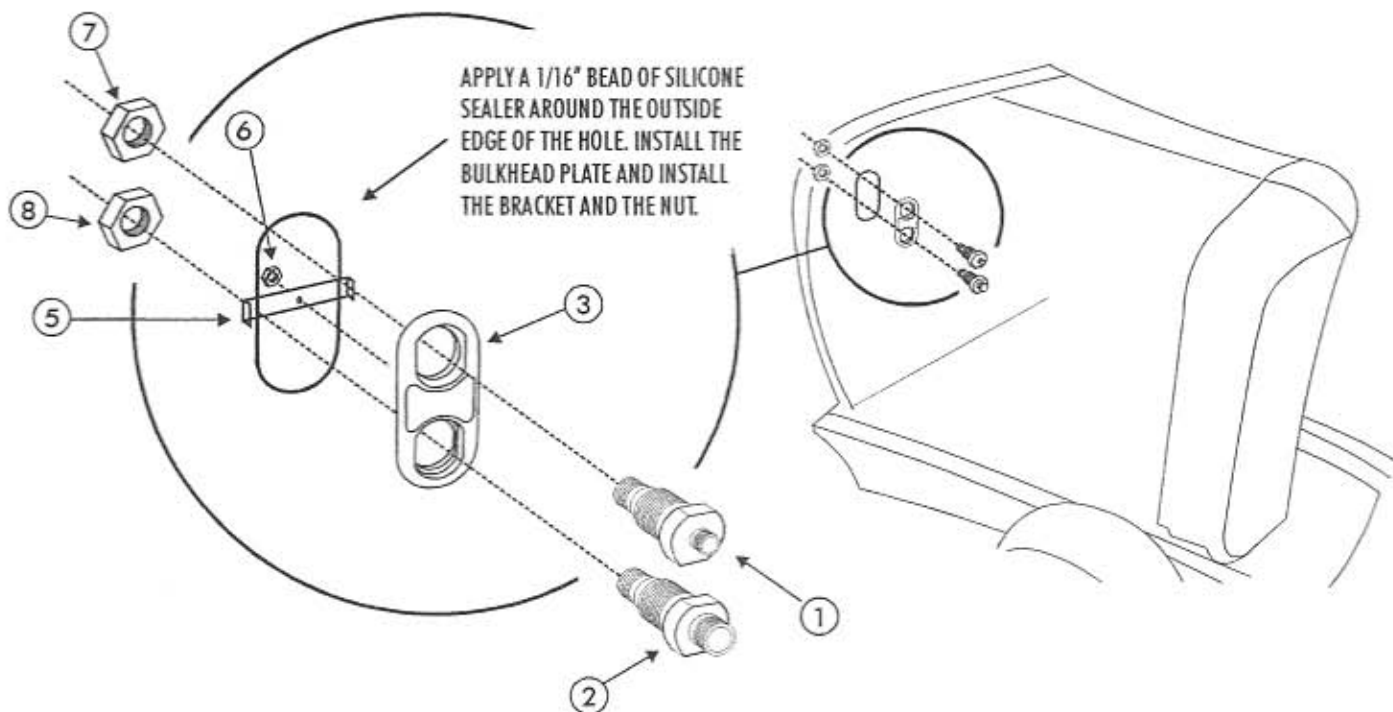
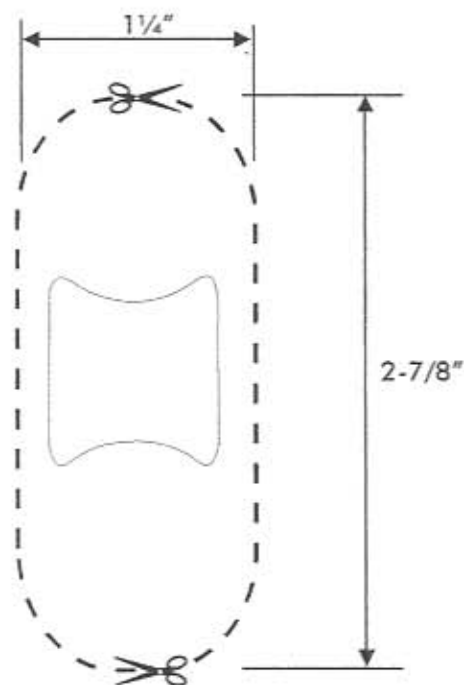


# INSTALLATION INSTRUCTIONS FOR 34213-VUQ A/C - HEAT 2-WAY BULKHEAD



CUT THE TEMPLATE ON THE DOTTED LINES AND TAPE IN POSITION. TRACE AROUND THE TEMPLATE AND CUT OUT THE AREA.

**DO NOT EXCEED THE DIMENSIONS GIVEN.**



## INSTALLATION INSTRUCTIONS FOR 34213-VUQ A/C & HEAT 2-WAY BULKHEAD

No	PART NUMBER	PART DESCRIPTION	QTY.
1.	35331-VUQ	#6 A/C BULKHEAD FITTING	1
2.	35333-VUQ	#10 A/C BULKHEAD FITTING	1
3.	34012-VUQ	2-WAY CAST BULKHEAD-RAW	1
4.	35335-VUQ	#10 BULKHEAD FITTING NUT	2
5.	40133-VUB	2-WAY BULKHEAD RETAINING BRACKET	1
6.	18150-VUB	10-32 HEX MACHINE NUT	1