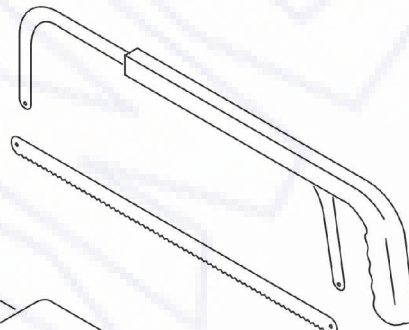


## Stock shackle bushing sleeve removal

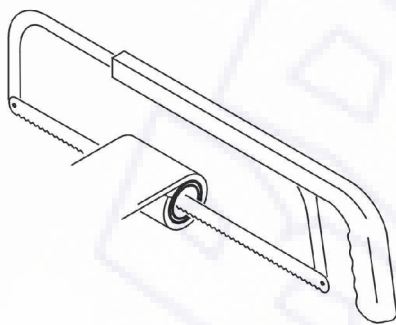
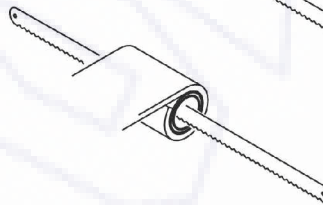
**When you replace the stock bushing in the shackle you will have to press the old bushing out. That will leave the outer sleeve in the shackle.**

**To remove the sleeve we use a hacksaw.**

1. Remove the hacksaw blade from the hacksaw.

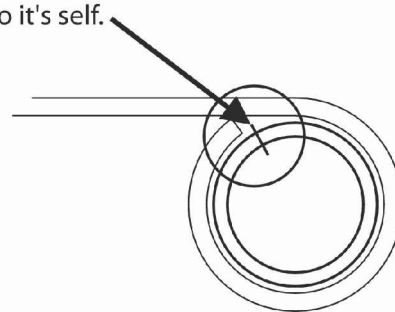


2. Slip the blade through the bushing hole.



3 Reattach the blade to the hack saw with the blade still in the shackle.

4 Saw through the bushing were the shackle is welded to it's self.



**The bushing sleeve will easily come out.**