

B.C. Broncos Power Door Locks

1. Disconnect battery.
2. Raise the door window glass
3. Remove the armrest, window crank and door latch assembly.
4. Remove the screws that secure the door panel and remove the door panel.

CAUTION

Proper operation of the door lock mechanism is necessary for the proper operation of the B.C. Broncos Power Door Lock kit. Damage to the lock actuators could result.

5. Remove the two screws securing the door limiting strap to the door.
6. Figure 1 is an overall reference illustration of the installation.
7. With the door/fender/mirrors adequately protected (blanket, foam rubber, etc.), carefully swing the door fully open against the protected fender and secure it with tape. See Figure 2.
8. Locate and center punch the position for the wiring harness opening on the door and the door jamb as shown in Figure 2.
9. Drill the two center punched marks made in Step 8 using a 1/8" drill as a pilot hole and then a 1/2" drill.
10. Insert a stiff "fish" wire (bailing wire works well) thru the doorjamb hole and up thru the opening in the upper kick panel behind the dash. Pull about 2' of the fish wire from behind the dash.

NOTE

Due to varied manufacturing techniques/tolerances, it may be necessary to drill the upper kick panel behind the dash to feed the wiring.

11. At the dash, attach the wiring harness to the fish wire with electrical tape. While gently pulling the fish wire, carefully guide the wires through the kick panel opening while pulling the wires through the door jamb hole opening. Make sure that enough wire is pulled (about 3') to allow for the space between the door and door jamb and for inside the door hookup.

CAUTION

There are many sharp edges in the door jamb area. Gently feed all wires through the door jam openings so not to cut the wiring harness.

12. Remove the fish wire from the wiring harness.
13. Carefully feed the wiring harness through the door hole. See Figure 2.

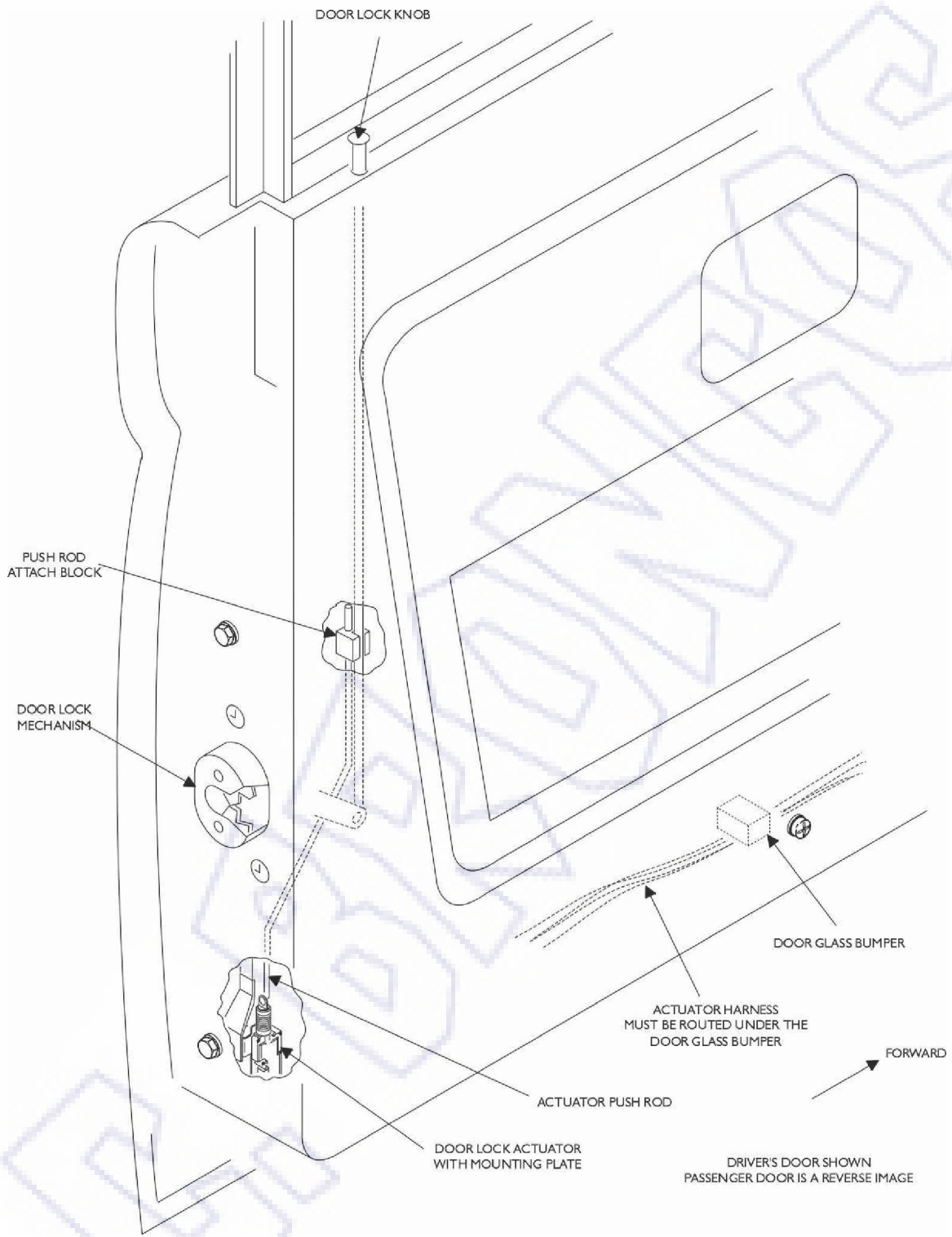


Figure 1. Door Lock overall view.

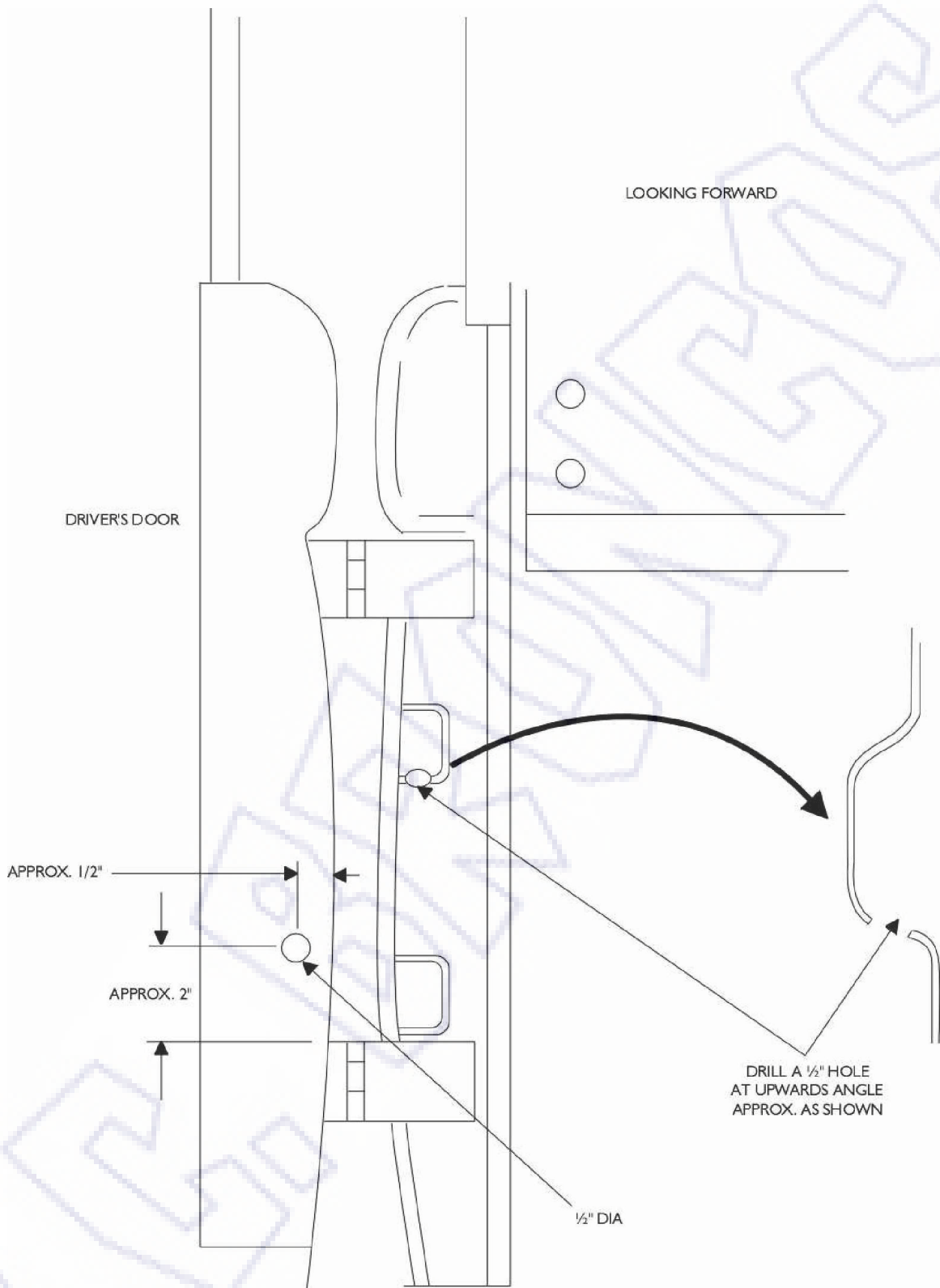


Figure 2. Drilling the door and door jamb.

14. Cover the exposed wiring harness between the door and the door jamb with the split wiring loom making sure to pass at least 2” of the split loom into the door and the door jamb.
15. Inside the door, route the wire harness under the door glass bumper to protect it from the glass mechanism. See Figure 1.
16. Carefully remove the tape securing the door and swing it towards the closed position. Reattach the door limiting strap to the door.

CAUTION

Check that the wire harness does not interfere with the door closing and the harness does not get snagged or pinched while closing.

17. Attach the actuator mounting bracket to the door lock actuator using the provided hardware. See Figure 3.

CAUTION

DO NOT over tighten the mounting hardware, only snug it. Over tightening will effect the operation of the actuator or could possibly crack the actuator housing.

18. Bend the lock actuator rod using the template. See Figure 4.
19. Insert the lock actuating rod into the lock actuator as shown in Figure 3.
20. Remove the window track adjusting bolt from the door and replace with the supplied bolt and washer. The longer portion of the bolt will act as a stud to mount the actuator bracket on. See Figure 5.

NOTE

There is a LEFT and a RIGHT mounting bracket.
The left (driver's) bracket is shown in the illustration.

21. Position the actuator mounting bracket on the inside of the window track mounting bolt and secure it with the provided attaching hardware. See Figure 5.
22. Preset the actuator's movement per the included actuator instructions.

CAUTION

The proper actuator preset is necessary to insure the actuator has full travel. Reference the manufacture's instructions for the proper setup. Actuator damage could occur is the preset is not correct.

23. Slide the actuator H block on the actuator rod with the allen screws facing the front of the Bronco. Tighten the allen screw onto the actuator rod only finger tight only. See Figure 6.
24. Slide the open edge of the H block onto the door lock rod. See Figure 6.
25. If the door lock actuator is in the down position, push the door lock knob down to the locked position. Tighten the allen screw onto door actuator rod finger tight only.
26. Connect the wiring harness to the actuator's wiring.
27. Install the passenger door actuator in the same manner.
28. Connect the wiring harness to the Bronco's +12v power supply per the factory instructions included with the actuators.
29. Reconnect battery.
30. Test the power window locks for proper operation. Adjust as necessary.
31. If no other adjustments are required, snug the allen screws securing the actuator H block. DO NOT over tighten. Figure 6.
32. Reinstall the door panel, door latch, arm rest and window crank.

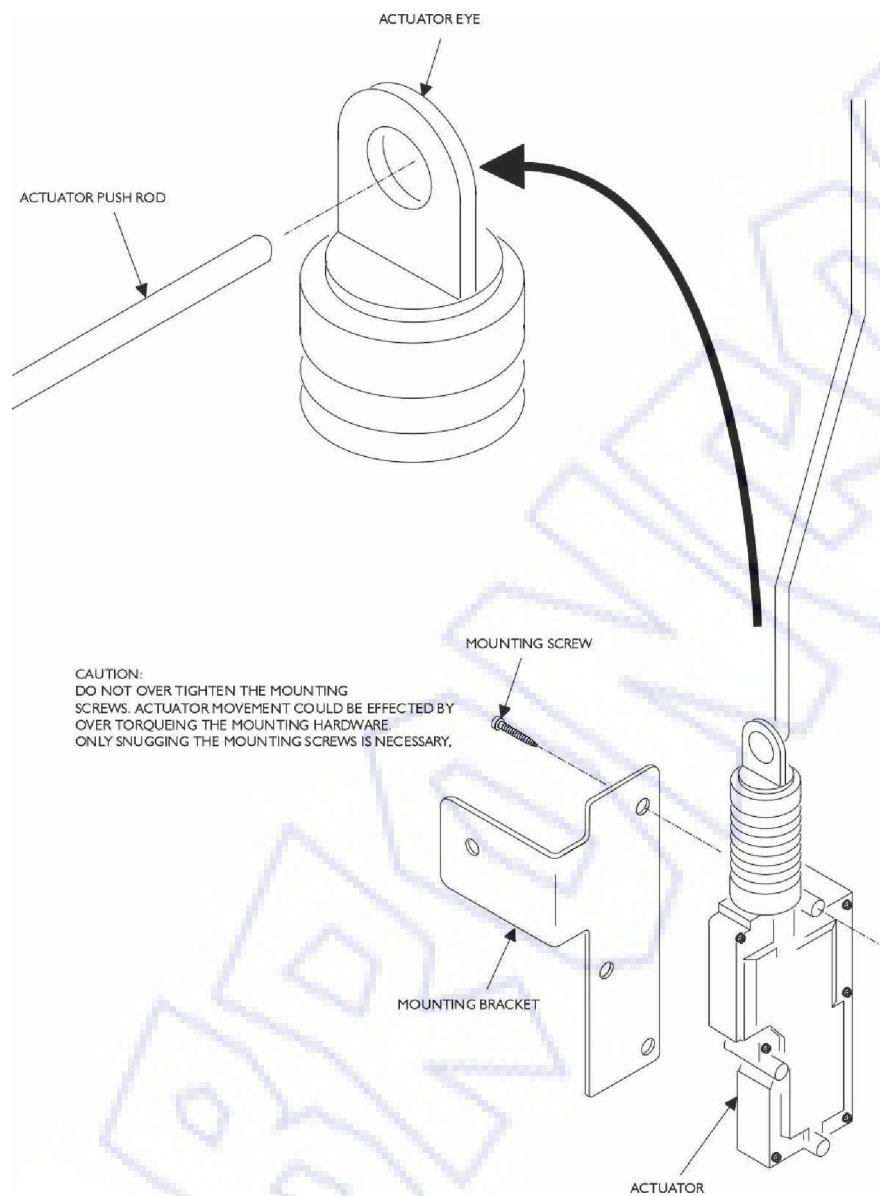


Figure 3. Attaching the actuator to the mounting bracket.



ACTUATOR PUSH ROD TEMPLATE
(actual size)
BEND THE ROD APPROX. AS SHOWN

Figure 4. Actuator rod bending template.

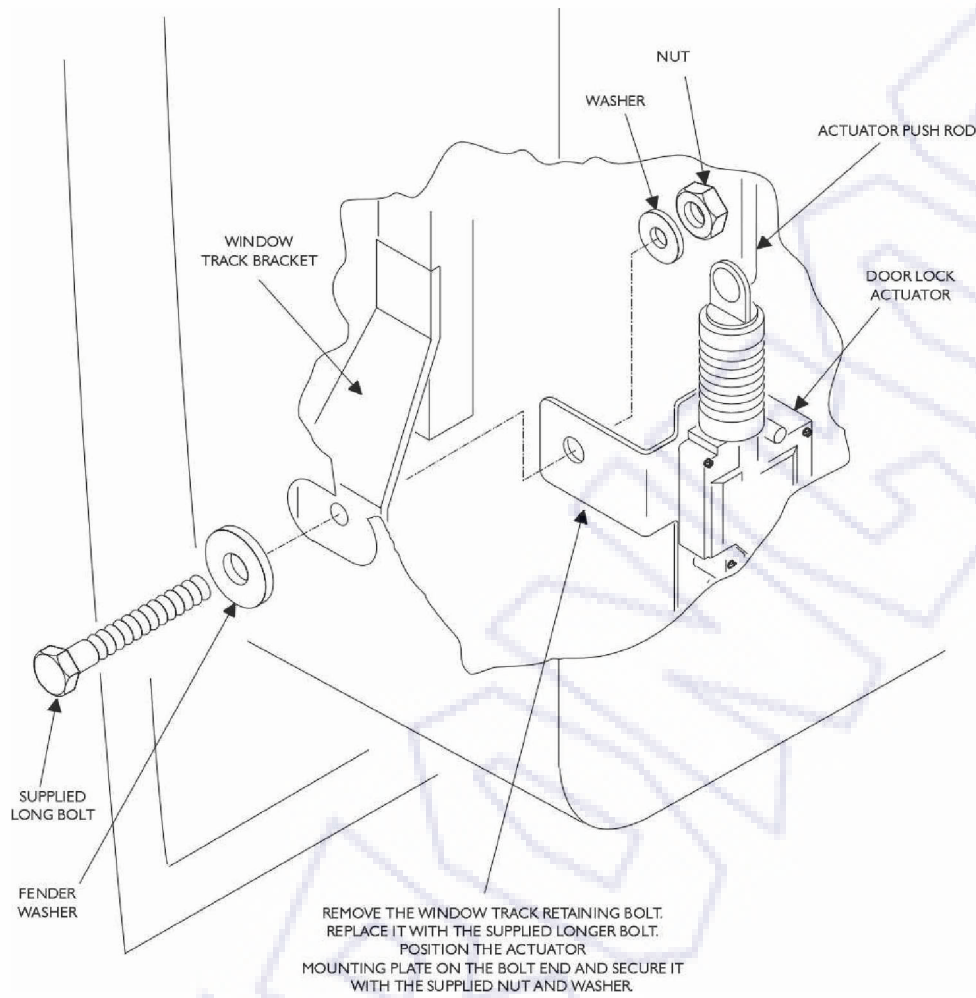


Figure 5. Mounting the actuator to the door.

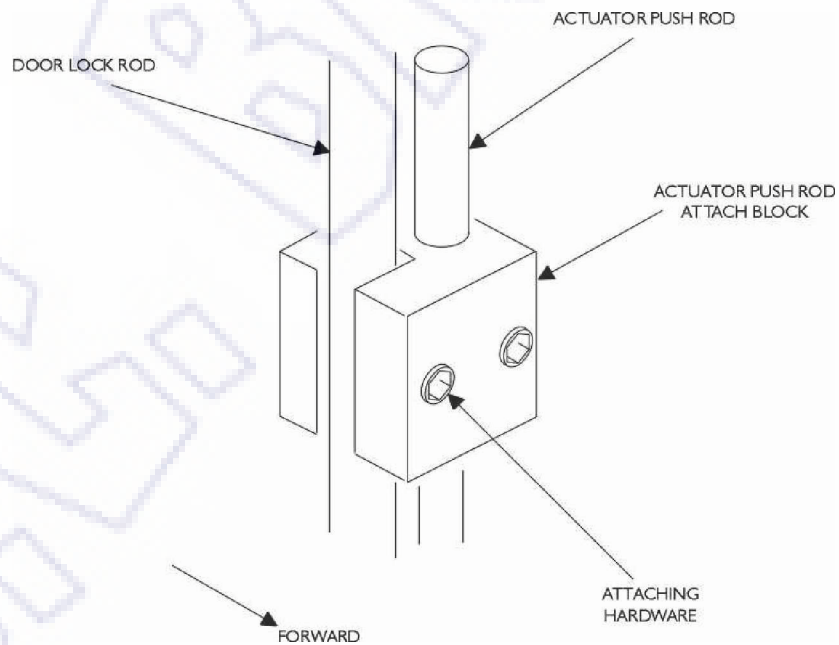


Figure 6. Actuator H block