

1/4" ROCKSKIS Installation

TOOLS NEEDED:

- 1/8", 3/16" & 5/16" drill bits
- Drill motor
- Center punch
- 3/8" wrench
- Large flat and Phillips screw drivers
- Awl
- Hammer
- Floor Jack
- 1' long section of 2 X 4 lumber

BEFORE YOU BEGIN:

1. Make sure that the pinch weld flange at the bottom of the rocker panel is straight.
2. If the Bronco has fender flares, remove the bottom two pop rivets from the front and rear flares at the rocker panel.
3. Remove the front and rear fender support brackets. (No longer needed. If the Bronco has fender flares, they may already be gone).
4. Sand, prime, and paint rock skis to suit.

NOTE: B.C. Broncos RockSkis are the proper lengths for Broncos with UNCUT fenders. Fitting the RockSkis to Broncos with fender flares will require some trimming. There are separate sets of instructions for Broncos with stock fenders (procedure A) and with cut fenders/flares (procedure B). Follow the appropriate procedure for your Bronco.

PROCEDURE A (Stock, Uncut Fenders)

1. Position the RockSki on the jack and support it with the 2 X 4 as shown in Figure 1.

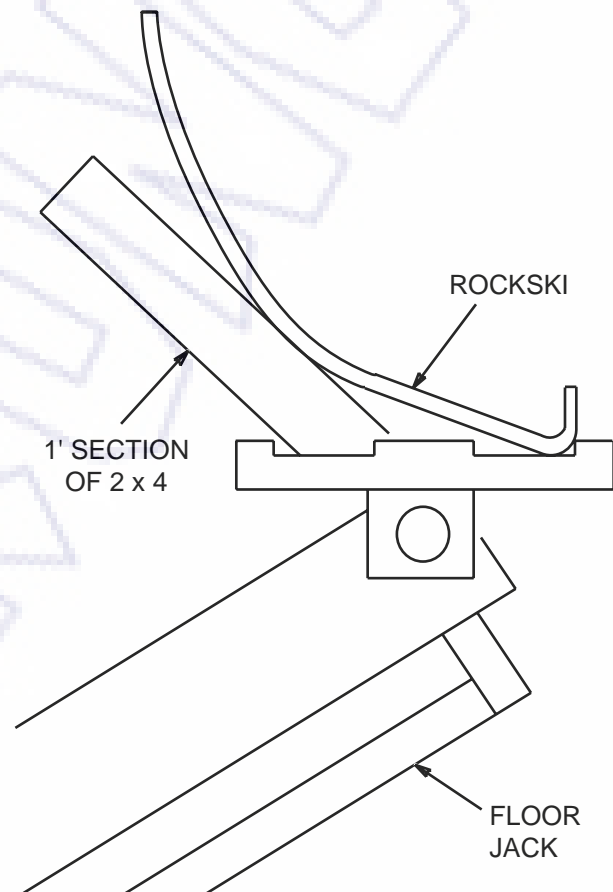


Figure 1

2. With the jack, raise the RockSki up until its bottoms out and there is a 1/4" to 3/8" space below the bottom of the door. Watch for hang-ups, usually around the notch at the front of the RockSki. See Figure 2.

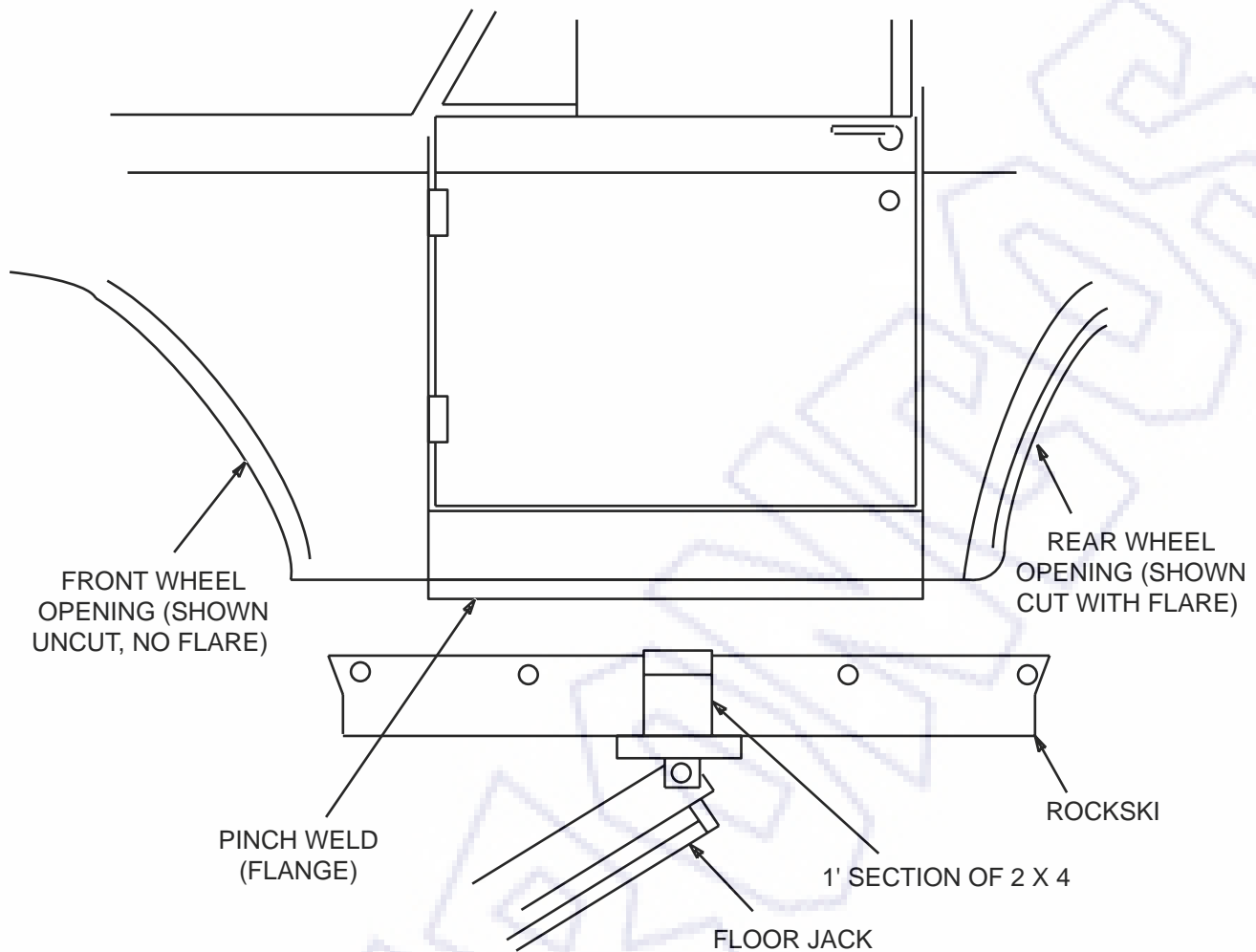


Figure 2

3. Align the RockSki right and left, making sure that the notch in the inside nearest the front fender fits around the brace on the backside of the rocker panel pinch weld. Push the RockSki as far forward (towards the front of the Bronco) as the notch will allow. See Figure 3.
4. Using the 5/16" drill bit, mark (DO NOT drill thru!) the centers of each of the five holes. Drill the front and rear holes only using the 5/16" drill. Install one 1/4"x20x3/4" truss head screws at each end with a large fender washer and nut on the back side. See Figure 4.
5. DO NOT drill the three center holes but using the awl, punch the three center holes NO LARGER than 3/16".

NOTE: If there is bondo the area of the center three mounting holes, pre-drill these holes with the 1/8" drill bit, and carefully enlarge them using the awl. See Figure 4.

6. Install three #14 truss head screw in the three center holes.
7. From under the Bronco, locate the three mounting holes on the RockSki u-bend. Mark the centers of the mounting using the 5/16" drill bit, DO NOT drill thru! Using the awl, punch the three holes NO LARGER than 3/16". Install #14 truss head screws. See Figure 5.

NOTE: The auxiliary side tank on some Broncos may have to be removed to drill and secure the driver side RockSki.

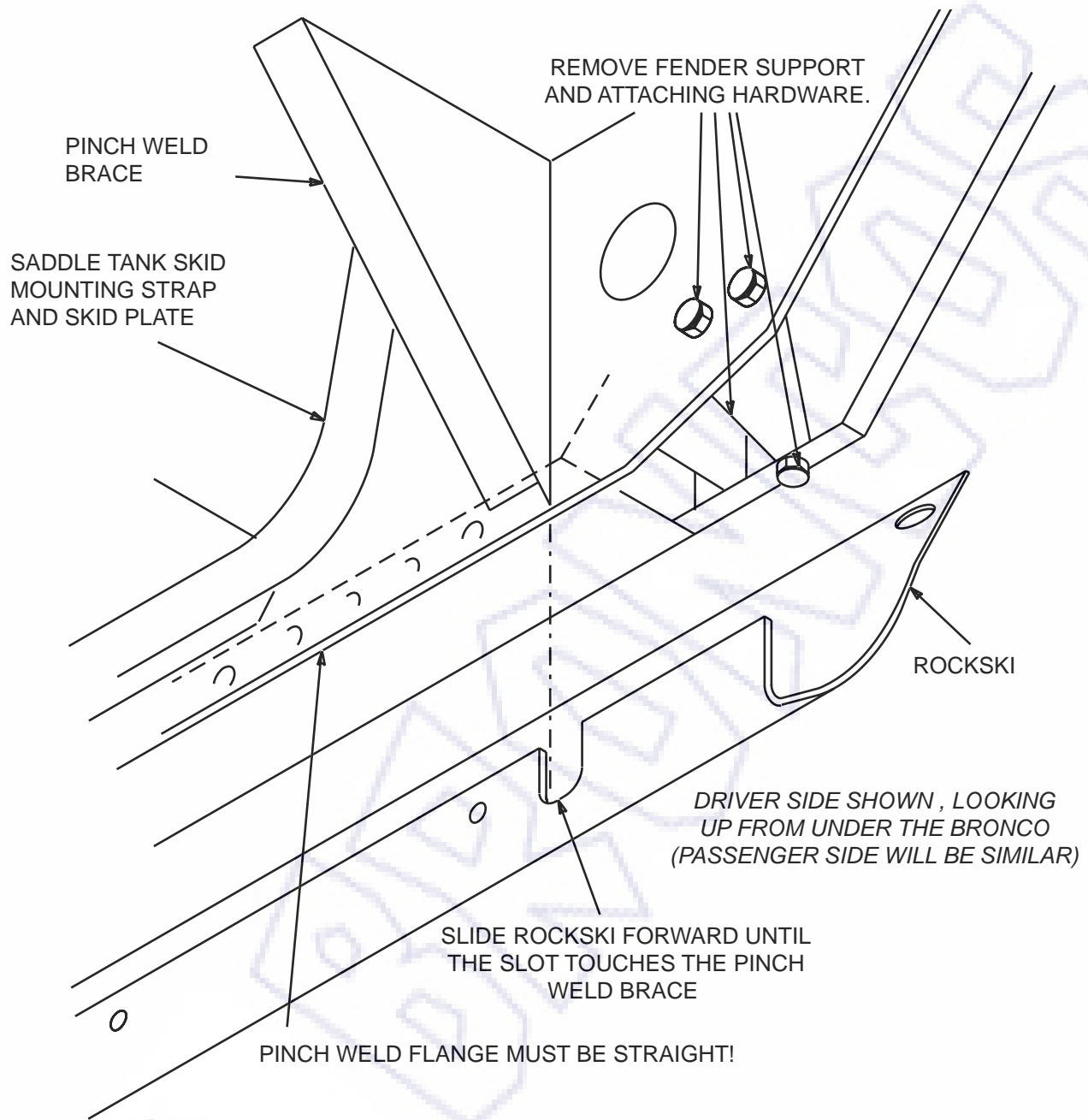


Figure 3

PROCEDURE B (Cut Rear Fenders)

1. Position the RockSki on the jack and support it with the 2x4 as shown in Figure 1.
2. With the jack, raise the RockSki up between body and fender flare until it bottoms out. Watch for hang-ups, usually around the notch at the front of the RockSki. See Figure 2.
3. Mark the amount of the RockSki that needs to be trimmed. Lower RockSki and trim as necessary. Re-drill the end mounting holes positioning them the same as on the trimmed section. See Figure 4.
4. With the jack, raise the RockSki up between body and fender flare until it bottoms out. Watch for hang-ups, usually around the notch at the front of the RockSki. See Figure 3.

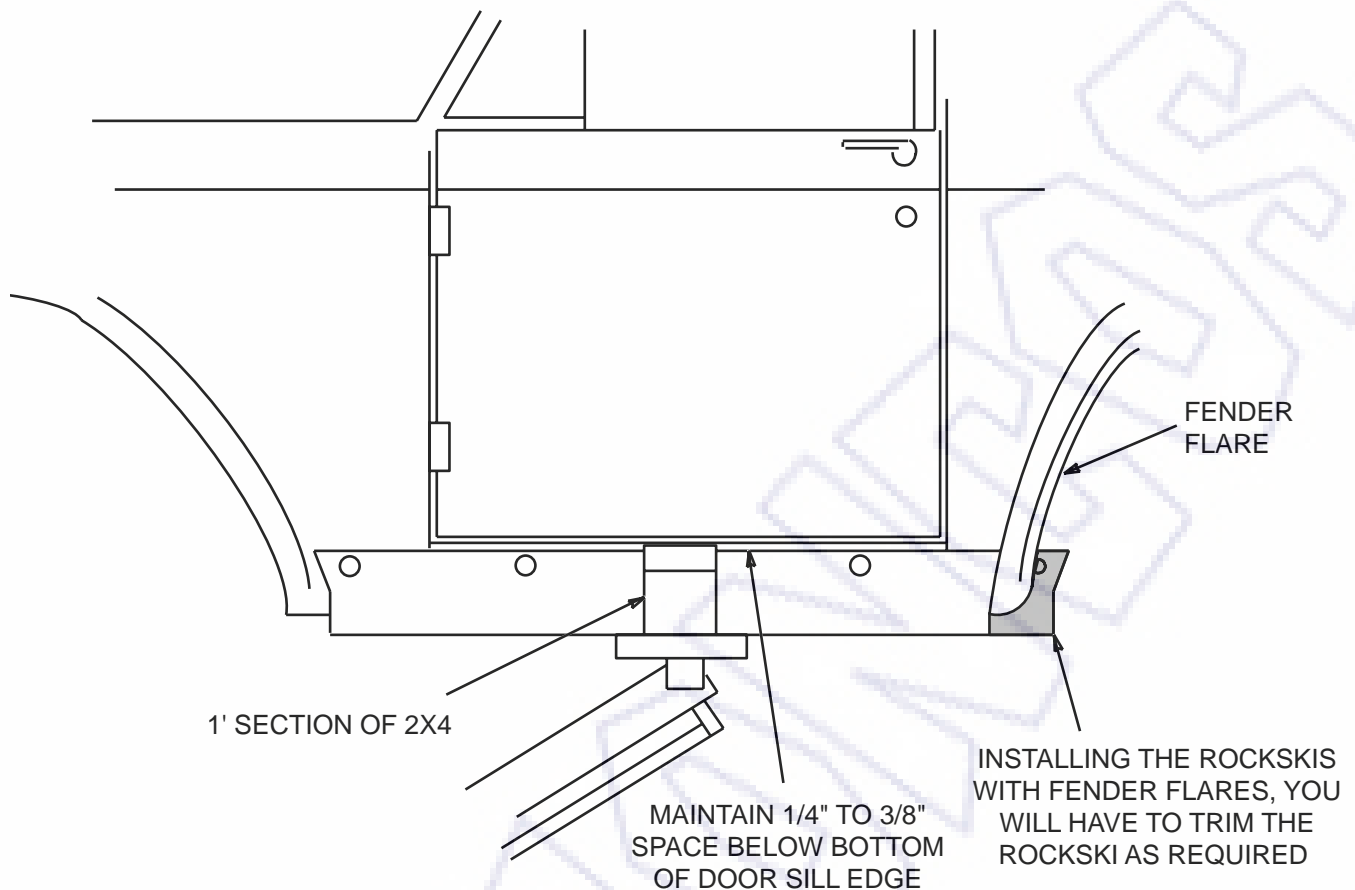


Figure 4

5. Align the RockSki right and left, making sure that the notch in the inside nearest the front fender fits around the brace on the backside of the rocker panel pinch weld. Push the RockSki as far forward (towards the front of the Bronco) as the notch will allow. See Figure 3.
6. Using the 5/16" drill bit, mark (DO NOT drill thru!) the centers of each of the five holes. Drill the front and rear holes only using the 5/16" drill. Install one 1/4"x20x3/4" truss head screws at each end with a large fender washer and nut on the back side. See Figure 5.
7. DO NOT drill the three center holes but using the awl, punch the three center holes NO LARGER than 3/16".
8. Install three #14 truss head screw in the three center holes.
9. From under the Bronco, locate the three mounting holes on the RockSki u-bend. Mark the centers of the mounting using the 5/16" drill bit, DO NOT drill thru! Using the awl, punch the three holes NO LARGER than 3/16". Install #14 truss head screws. Remove the jack support.
10. Reattach the fender flares. Center punch and drill using the 1/8" drill. Attach the fender flare using small button head screws with washers and nuts on the back side. (The fender flares can also be re-attached using pop rivets (not supplied)).

NOTE: If there is bondo the area of the center three mounting holes, pre-drill these holes with the 1/8" drill bit, and carefully enlarge them using the awl. See Figure 5.

NOTE: The auxiliary side tank on some Broncos may have to be removed to drill and secure the driver side RockSki.

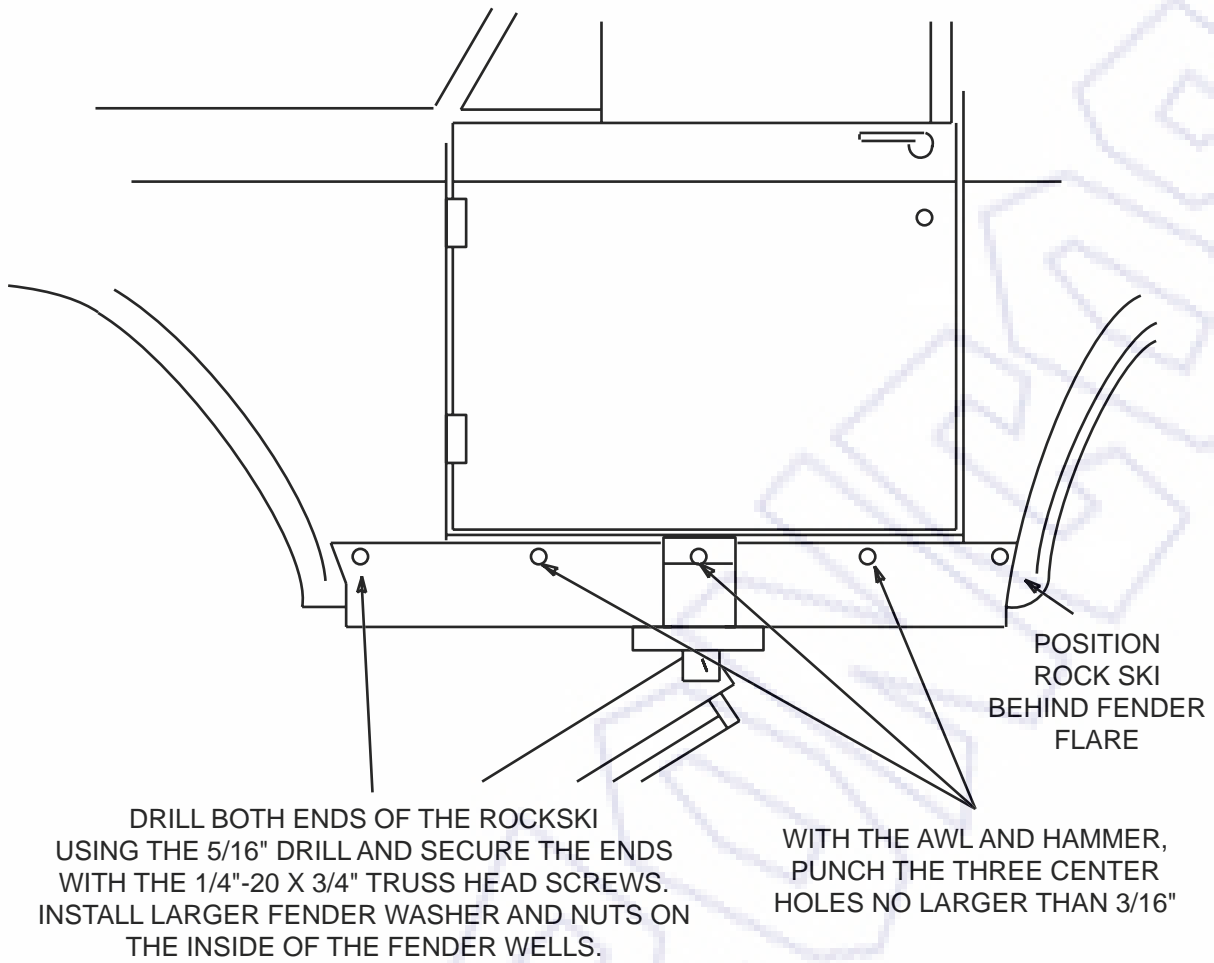


Figure 5